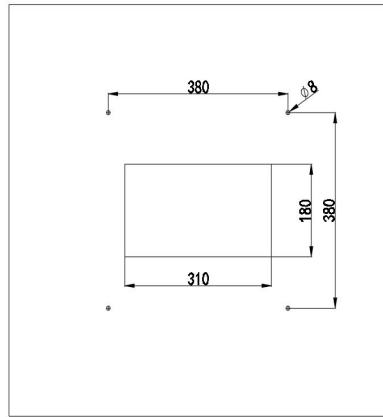
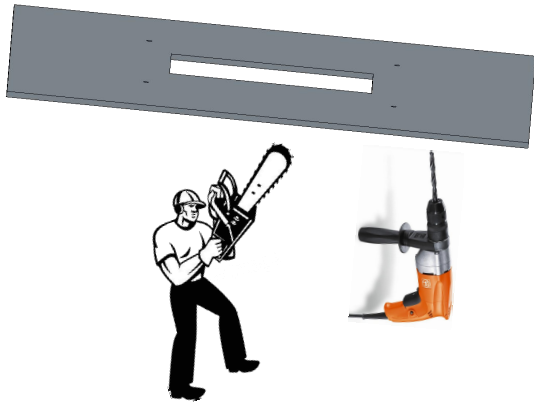
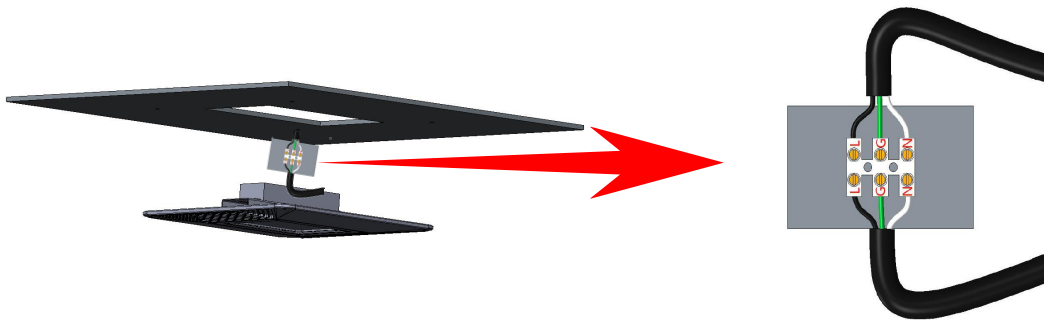


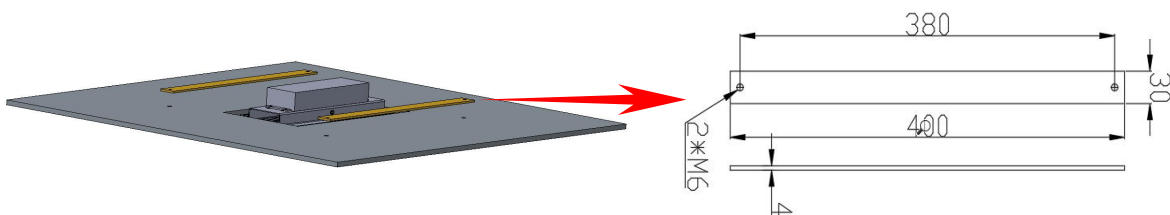
# Standard Luminaire Installation



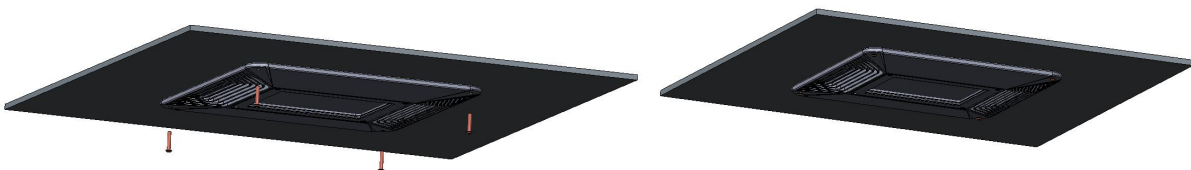
Step1: Use a chainsaw and an electric drill to make holes in the ceiling, the dimensions are as shown



Step2: Wiring, connect the L,N,GND wires on the lamp to the corresponding L,N,GND cables on the pole.



Step3: Place the fixing plate on the ceiling and align it with the hole, then fix the lamp body



Step4: Fix it with 4 M6 screws