



Wombat (FLW) LED FLOOD LIGHT 50W-280W

5Million+ Units LED Products Sales
100+ Patent Certificates
\$1,000,000+ Annual Energy Saving
10,000+ Projects Successfully Installed

OVER YEARS 
10 EXPERIENCE
www.aokledlight.com



> Features of FLW Series

· Wombat (FLW) LED Flood Light is an efficient LED solution that efficiently illuminates fields, creating brighter and better lighting for community large areas, tall or wide buildings, and recreational parks. It's also suitable for outdoor wet locations, for ground mounting as well. With its low energy consumption and high efficiency, this easy-to-install and low-maintenance lighting solution is an ideal choice for industrial and commercial applications.

Features:

- System efficacy up to 150 lm/W;
- Adjustable CCT & Power;
- Sturdy die-cast aluminum housing, black powder coating finish, custom color on request;
- Integrated lens, energy-saving and high efficiency, no glare;
- Optional distribution: 7H*7V (130°x130°), custom optics on request;
- A variety of mounting options: Knuckle/Trunnion/Slipfitter/Yoke;
- UL, FCC listed, suitable for wet locations.

Benefits:

- High energy savings >60% compared to traditional HPS/MHL-light;
- Flexible solution reduces SKUs, increases turns, and drives profitability.

UP TO 150 lm/W	Adjustable · 3000K · 4000K · 5000K	CRI 70/80	100-277V 50/60HZ	Working Temperature Environment -40°C~50°C (-40°F~+122°F)
L90B10 >52000hrs @ 25°C	IP66	IK09	DIM	



Change at the flip of a switch

5 **WARRANTY**
5 Year Limited Warranty.
Please consult with our sales
for detailed agreement.

wally@aokledlight.com
+1 626-986-4050 (US)
+86 755 2357 9148 (CN)
©2022 AOK LED LIGHT CO., LTD. All Right Reserved.



> Application Reference

- Backyards
- Recreational parks
- Buildings and walls
- Ground areas and other wet locations

Multiple mounting options can be installed in various scenarios.



Parameter Table

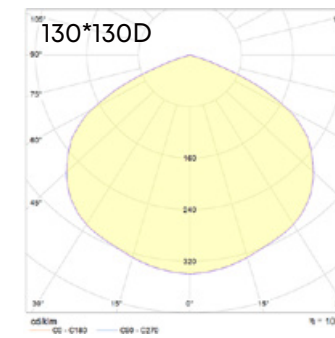
Electrical Specifications								
Model	AOK-FLW50	AOK-FLW60	AOK-FLW70	AOK-FLW100	AOK-FLW150	AOK-FLW200	AOK-FLW240	AOK-FLW280
Power(W)	50W	60W	70W	100W	150W	200W	240W	280W
Input voltage	100-277VAC							
PF	≥0.90	≥0.90	≥0.95	≥0.95	≥0.95	≥0.95	≥0.95	≥0.95
Driver Efficiency	≥86%	≥88%	≥89%	≥90%	≥93%	≥93%	≥94%	≥94%
Maximum Current	AC0.56 A	AC0.67 A	AC0.78 A	AC1.1 A	AC1.68 A	AC2.24 A	AC2.7 A	AC3.15 A
Control option	Driver includes wiring for 0-10V dimming systems. Dim as low as 10%.							
Operating temperature	-40°C to 50°C (-40 °F to 122 °F)				-40°C to 40°C (-40 °F to 104 °F)			
Surge Protection	4KV SPD optional				10KV SPD optional			
Photometric Specifications								
Efficacy (lm/W, Std. Dev ±3%)	140lm/W	140lm/W	140lm/W	140lm/W	140lm/W	140lm/W	150lm/W	145lm/W
Luminous flux(lm)@CRI 70Ra, 4000K (Std. Dev ±3%)	7000lm	8400lm	9800lm	14000lm	21000lm	28000lm	35000lm	40000lm
CCT	3000K, 4000K, 5000K							
CRI	70Ra, 80Ra optional							
LED model	2835							
Lens	Polycarbonate							
Beam angle	7H*7V (130°*130°)							
Mechanical Specifications								
IP/IK	IP66/IK09, according to standard EN 60529 and EN 62262							
Housing	Heavy-duty die-cast aluminum (EN AC-46100)							
Heat Radiator	Aluminum alloy							
Surface treatment	Anti-UV thermosetting polyester / Anti-UV thermosetting polyester (for extremely corrosive environments).							
Painting	Black, Custom request							
Cable	Pre-wired with a 30 cm cable (Other lengths on request)							
Mounting	Knuckle/ Trunnion			Slipfitter/Yoke				
Package Info								
Product Size	Knuckle/Slipfitter	10.69*9.54*2.58 inches / 271.5*242.4*65.5mm	13.42*15.41*2.62 inches / 340.8*391.4*66.5mm	15.39*16.63*2.93 inches / 390.8*422.4*74.5mm	20.83*19.62*3.07 inches / 529*498.3*78mm			
	Trunnion/Yoke	11.28*8.94*2.58 inches / 286.5*227.2*65.5mm	13.42*12.18*2.62 inches / 340.8*309.4*66.5mm	15.39*13.4*2.93 inches / 390.8*340.4*74.5mm	20.83*16.77*3.07 inches / 529*426*78mm			
Net Weight	Knuckle/Slipfitter	1.8KG	3.9KG	4.9KG	7.4KG			
	Trunnion/Yoke	2.2KG	3.6KG	4.5KG	7.0KG			
Carton Size	Knuckle/Slipfitter	12.2*11.42*3.15inches / 310*290*80mm	16.1*18.1*4.13 inches / 410*460*105mm	18.5*19.69*4.13 inches / 470*500*105mm	24.61*23.07*5.12 inches / 625*586*130mm			
	Trunnion/Yoke	12.2*11.42*3.15inches / 310*290*80mm	16.1*14.57*3.35 inches / 410*370*85mm	18.5*16.5*3.82 inches / 470*420*97mm	24.61*19.88*4.72 inches / 625*505*120mm			
Gross Weight	Knuckle/Slipfitter	2.4KG	4.9KG	6.1KG	8.8KG			
	Trunnion/Yoke	2.8KG	4.5KG	5.7KG	7.4KG			
Others								
Lifespan	L90B10 > 52000h, @Ta 25°C							
Warranty	5 years limited warranty							
Certification	UL, FCC, For other certificates please request							

Ordering Information

AOK-	WATTS	VOLTAGE	LED CHIPS	TYPE OF SENSOR	CCT&CRI	DISTRIBUTION	MOUNT	COLOR
FLW50	50W	NV=100-277V	L2=LUMILEDS 2835	00=NONE	XX70=3000K-5000K 70CRI	130=130°*130D	K=Knuckle*	BK=Black
FLW60	60W			DV=Dimmable	XX80=3000K-5000K 80CRI		T=Trunnion*	Custom request
FLW70	70W						SF=Slipfitter*	
FLW100	100W						Y=Yoke*	
FLW150	150W							
FLW200	200W							
FLW240	240W							
FLW280	280W							

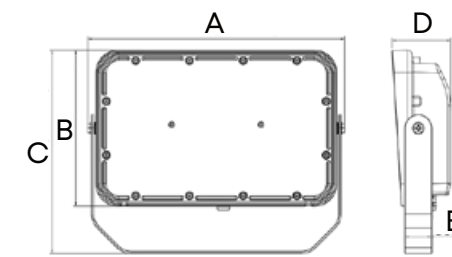
* Knuckle and Trunnion is for 50w-60w, Slipfitter and Yoke is for 70w-280w. XX70/XX80, 'XX' stands for adjustable CCT.

Photometrics



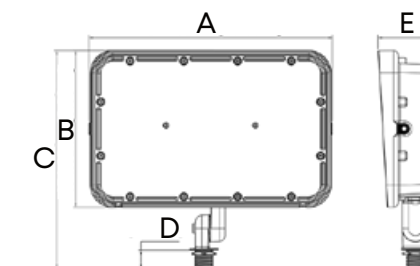
Dimension

50W-60W Trunnion Mount



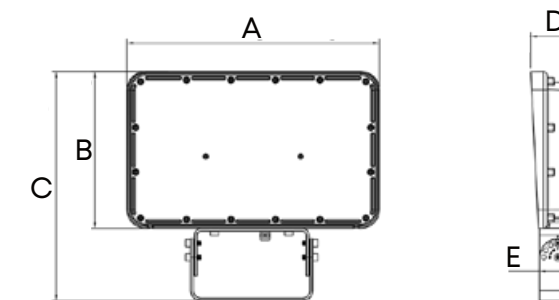
A	B	C	D	E
50W-60W (Trunnion Mount)				
286.50mm (11.28")	174.32mm (6.86")	227.20mm (8.94")	65.50mm (2.58")	30.00mm (1.18")

50W-60W Knuckle Mount



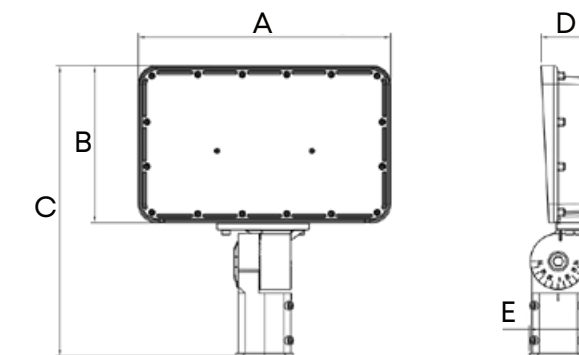
A	B	C	D	E
50W-60W (Knuckle Mount)				
271.50mm (10.69")	174.32mm (6.86")	242.40mm (9.54")	20mm (0.79")	65.50mm (2.58")

70W-280W Yoke Mount



A	B	C	D	E
70W-100W (Yoke Mount)				
340.82mm (13.42")	211.32mm (8.32")	309.41mm (12.18")	66.50mm (2.62")	50.00mm (1.97")
150W-200W (Yoke Mount)				
390.82mm (15.39")	242.32mm (9.54")	340.41mm (13.40")	74.46mm (2.93")	50.00mm (1.97")
240W-280W (Yoke Mount)				
529.00mm (20.83")	328.00mm (12.91")	426.00mm (16.77")	78.00mm (3.07")	50.00mm (1.97")

70W-280W Slipfitter Mount



A	B	C	D	E
70W-100W (Slipfitter Mount)				
340.80mm (13.42")	211.32mm (8.32")	391.40mm (15.41")	66.50mm (2.62")	78.00mm (3.07")
150W-200W (Slipfitter Mount)				
390.82mm (15.39")	242.32mm (9.54")	422.36mm (16.63")	74.46mm (2.93")	78.00mm (3.07")
240W-280W (Slipfitter Mount)				
529.00mm (20.83")	328.00mm (12.91")	507.95mm (20.00")	78.00mm (3.07")	78.00mm (3.07")

FLW-Wombat Series Specification Sheet

*Due to the constant improvements in product development, individual parameters might change. Please refer to our sales or R&D team for most up-to-date content as specifications are subject to change without notice.

wally@aokledlight.com

+1 626-986-4050 (US)

+86 755 2357 9148 (CN)

©2022 AOK LED LIGHT CO., LTD. All Right Reserved.



Installation Guide (50W-60W)

1. Connect the municipal wire in the NPS screw with the lamp input wire, as shown in Figure-4.
2. Plug the input cable into the screw, tighten it and make the seals waterproof.
3. Loosen the M5*26mm screw and turn the bracket to adjust the required angle. The installation position of the vertical aiming display is tightened.
4. Please find a professional electrician for installation.

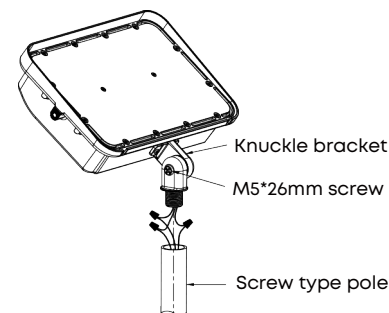


Figure-1 (Knuckle with screw type pole)

1. Connect the municipal wire in the junction box with the lamp input wire, as shown in Figure 4.
2. Align the Knuckle bracket with the 1/2" NPS hole on the junction box, tighten it and make the seals waterproof.
3. Loosen the M5*26mm screw and turn the bracket to adjust the required angle. The installation position of the vertical aiming display is tightened.
4. Please find a professional electrician for installation.

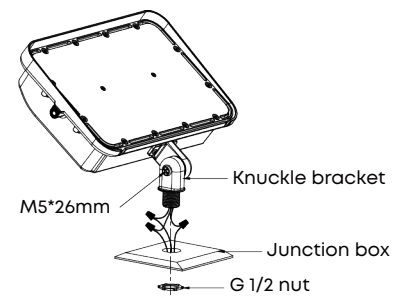


Figure-2 (Knuckle with junction box)

1. Fix the Trunnion bracket on the wall or lamp, then punch the mounting holes.
2. Connect the cable of the lamp to the municipal wire, as shown in Figure-4, then make the seals waterproof.
3. Tighten the Trunnion bracket screw.
4. Loosen the lock nut, turn the lamp to the required angle, then tighten the pivot bolt.
5. Please find a professional electrician for installation.

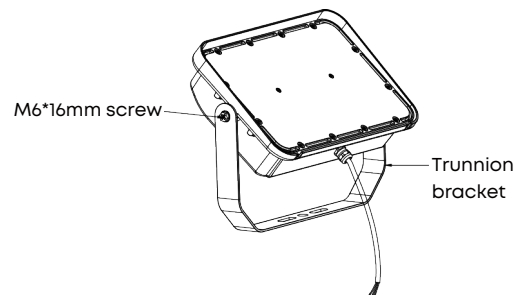


Figure-3 (Trunnion bracket)

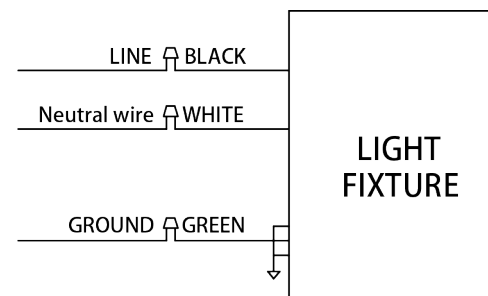


Figure-4 (Wiring diagram)

1. Adjust the color and power according to the following instructions. Loosen the switch waterproof cover. Default power Settings: on/off options. The default color temperature is 4000K (CCT).
2. Select the color temperature (CCT) to reach the desired value by sliding the CCT switch.
3. Select the desired power value by sliding Power on/off switch.
4. Reinstall the waterproof cover and tighten it.

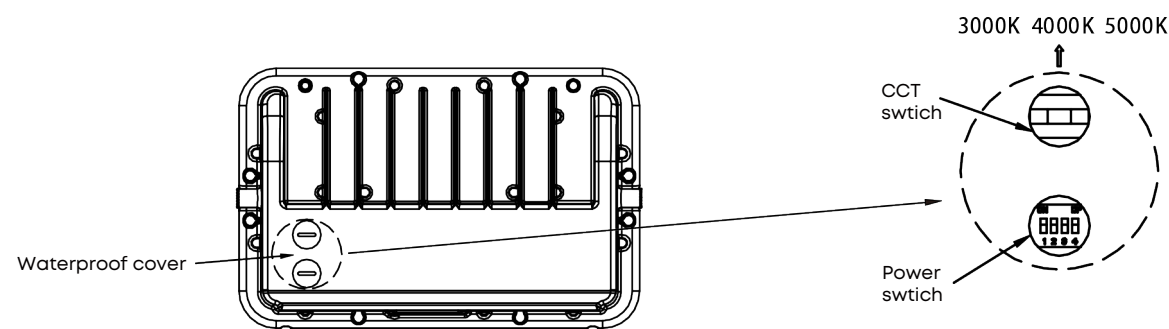


Figure-5 (CCT and power switch)

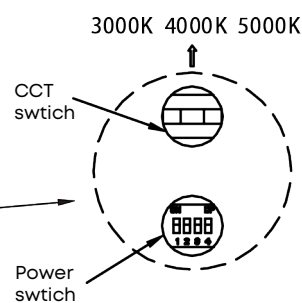


Figure-6 (CCT and power switch)

Installation Guide (70W-280W)

1. Connect the cable in the Slipfitter holder to the municipal wire, as shown in Figure-10.
2. Insert connecting input wires into a $\phi 60$ mm pole, then make the seals waterproof.
3. Insert the Slipfitter stand into the $\phi 60$ mm pole and tighten 4 of M8*25 screws.
4. Loosen the M16*50mm bolt and turn the lamp to adjust the required angle, aim vertically at the installation position as shown and tighten it.
5. Please find a professional electrician for installation.

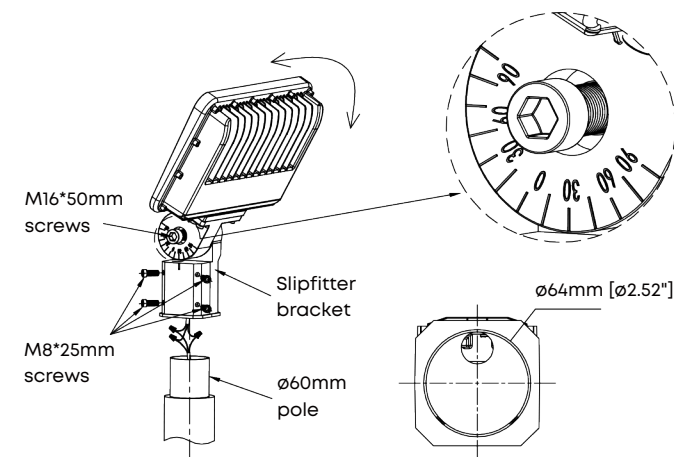


Figure-7 (Slipfitter bracket)

1. Adjust the color and power according to the following instructions. Loosen the switch waterproof cover. Default power Settings: on/off options. The default color temperature is 4000K (CCT).
2. Select the color temperature (CCT) to reach the desired value by sliding the CCT switch.
3. Select the desired power value by sliding Power on/off switch.
4. Reinstall the waterproof cover and tighten it.

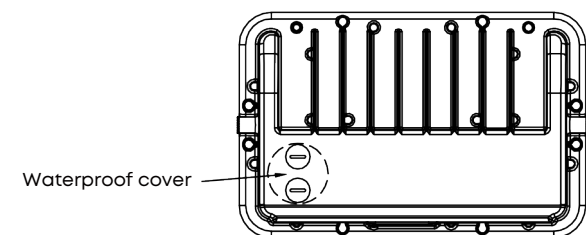
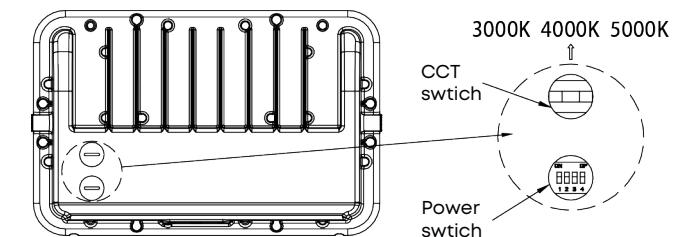


Figure-9 (CCT and power switch)



1. Loosen the Yoke bracket pivot bolt, rotate the jig to the required angle, and tighten the pivot bolt.
2. Fix the Yoke bracket on the wall or lamp, and tighten the securing bolts.
3. Connect the cable of lamp with the municipal wire, as shown in Figure-10, then make the seals waterproof.
4. Please find a professional electrician for installation.

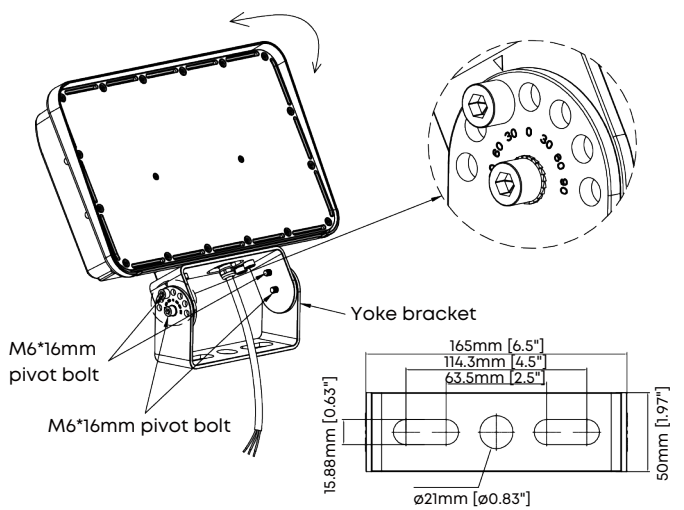


Figure-8 (Yoke bracket)

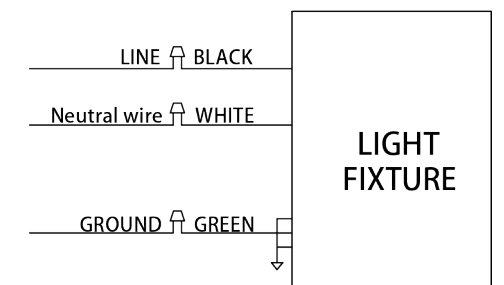


Figure-10 (Wiring diagram)

⚡ WARNING

- Before proceeding with installation or service maintenance of this product.
- Disconnect power to reduce electrical shock risk.
- Review the entire Installation Guide.
- Inspect this properly packaged product for any damage that may have occurred during transit.
- Verify product application complies with manufacturer design recommendations.
- Verify the availability of necessary tools and incidental material.
- Verify applicable code requirements. Field assembly and installation are subject to acceptance by local inspection authority.
- Appropriate safety equipment to be determined by end user, per applicable safety standards and precautions.

* This procedure is designed as an installation aid. Skilled tradespeople that are familiar with general construction and electrical installation techniques should perform the installation. Licensed electricians should provide electrical installation connections. Installations and connections should be done in accordance with all national and local codes and permits. In no way is this document intended to construe warranty or fitness of use of the products described, nor is it intended to provide safety instruction for those installing the product.



Quality, Honesty, Service and Innovation

Illuminate Your Future



● WARRANTY

5 Year Limited Warranty.
Please consult with our sales
for detailed agreement.

wally@aokledlight.com

www.aokledlight.com

+1 626-986-4050 (US)

+86 755 2357 9148 (CN)

Manufacturing: Building 1 & 4, St. George's Science and Technology Industrial Park, Shajing Street, Shenzhen, China, 518124.

Fuzhou HQ: Room 301, Yujing Business Center Zone 1, No. 12 Baihuazhou road, Cangshan district, Fuzhou, China, 350007

NorthAmerica HQ: 18541 E Gale Ave, City of Industry, CA91748 USA

Copyright ©2022 AOK LED LIGHT CO., LTD. All Right Reserved.